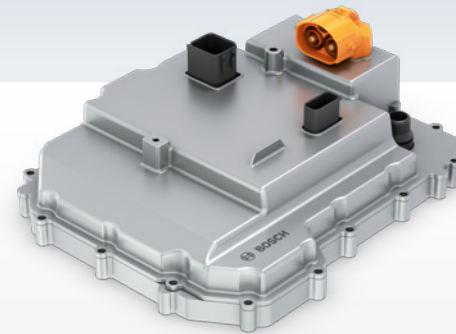
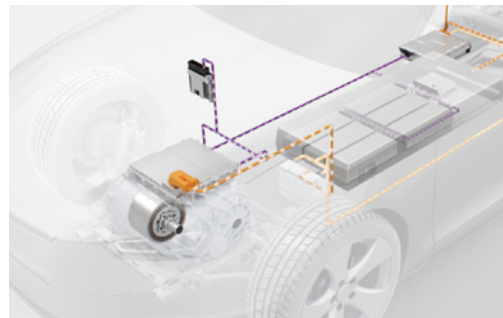
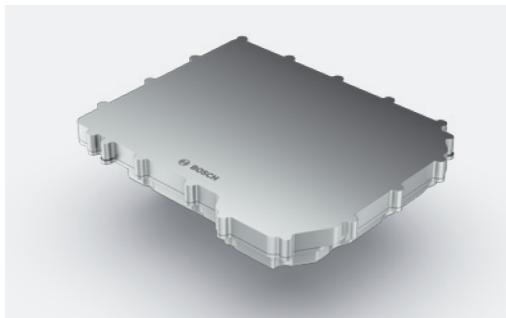


Inverter generation 4

Higher efficiency, more performance,
greater range



Powertrain and
electrified mobility



Up to
6 %

more range depending on use-case
on vehicle level

Up to
99 %

efficiency by using silicon carbide technology

- Best-in-class balance between robustness and efficiency due to key features of silicon carbide technology
- Ultra-compact design and small installation size
- Increased power density by 200 % versus previous inverters of generation 3evo
- High reliability especially in resistance for thermal cycling